

ASTEROID

HLE4 - LED HIGHBAY



By utilising the best componentry, the Vision Asteroid highbay luminaire is able to achieve high performance levels of 140Lm/W.

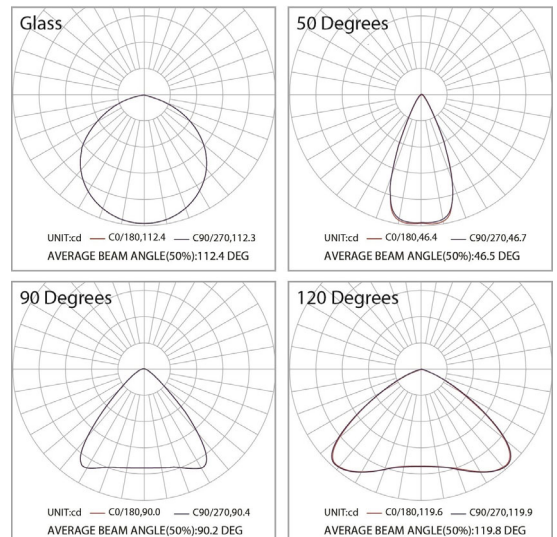
Designed to perfection, the luminaire's slim body retains exceptional heat sinking ability, whilst remaining functional and lightweight.

With a rated lifetime of L70 >50,000 hours and IP65 rating, the Asteroid provides an excellent choice for various applications, including select outdoor uses. For increased mounting options, the Asteroid is available with a hook or trunion bracket.



PRODUCT SPECIFICATIONS

Wattage:	100W - 200W
Lumens:	14000 - 28000Lm
Efficacy:	140Lm/W
CCT:	4000K
CRI:	>70
Beam Angle:	See table for options
Glare Rating:	Tempered Glass / PC Diffuser
Dimming:	None / 1-10V / DALI / Zigbee
Control:	Daylight Sensor / Motion Sensor
Material:	Aluminium Alloy
Diffuser:	Tempered Glass/PC Diffuser
Colour:	Black
IP Rating:	IP65



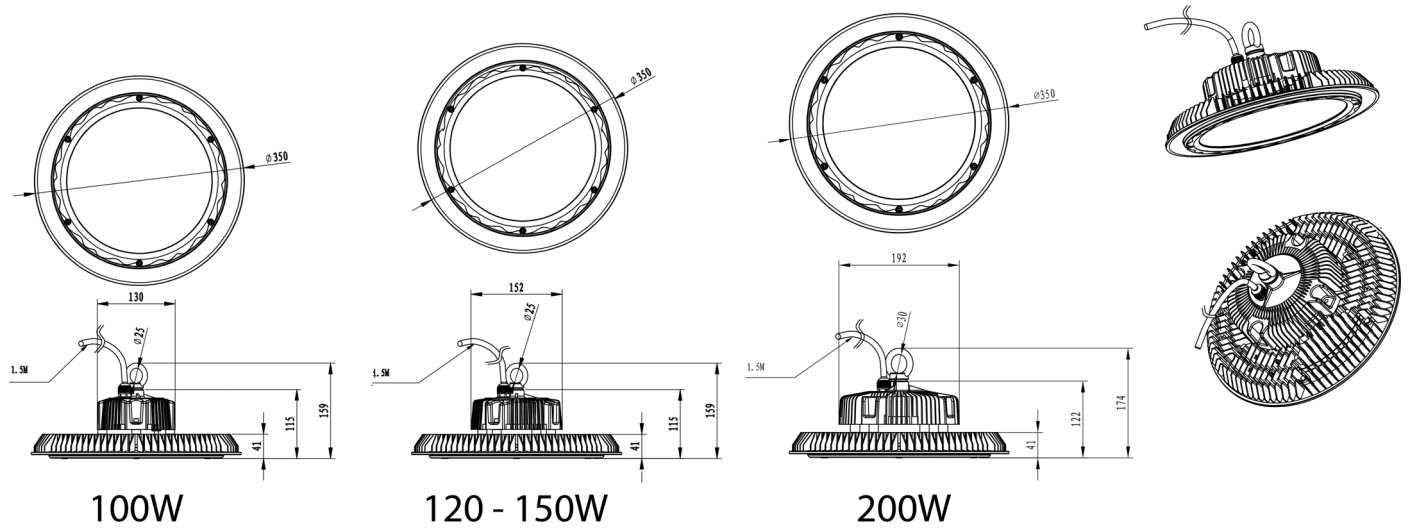
ASTEROID

HLE4 - LED HIGHBAY

CODING METHODOLOGY

Family	Power	Lumens	CCT	Beam Angle	Control	Mounting					
HLE4	100	100W	12566 Lm	-4K	4000K	-60D	60 Degree Lens	(Blank)	None	(Blank)	Hook Mount
	120	120W	14747 Lm			-90D	90 Degree Lens	-DA	DALI	-SM	Trunnion mount
	150	150W	19361 Lm			-120D	120 Degree Glass	-ZB	Zigbee		
	200	200W	25004 Lm			-BW	120 Degree Lens	-DS	Daylight sensor		
						-PRS	Prismatic Diffuser	-MS	Motion Sensor		
						-REF	Aluminium Reflector				

DIMENSIONAL DIAGRAM



ASTEROID

HLE4 - LED HIGHBAY

ALL DISTRIBUTION OPTIONS						
Code	-120D	-BW	-60D	-90D	-PRS	-REF
Description	120° Glass	120° Batwing Lens	60° Lens	90° Lens	Polycarbonate Prismatic Diffuser	Aluminium Reflector
Image						
Photometry	120 Degrees 	Batwing 	60 Degrees 	90 Degrees 	PC Prismatic Diffuser 	AL Reflector