

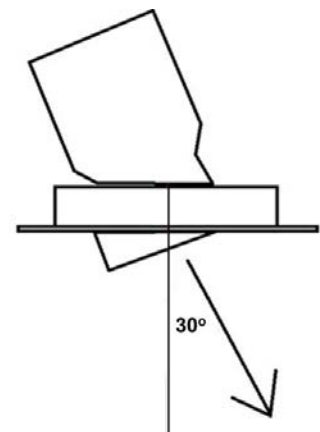
LED DOWNLIGHT

DL38 - ADJUSTABLE LED DOWNLIGHT



BODY:	Aluminium
FINISH:	Chrome / Matte White
LIGHT COLOUR OPTIONS:	Warm White / Neutral White
MOUNTING:	Recessed
ADJUSTABLE ANGLE:	- 30°- 30°
DIMMING OPTIONS:	DALI, Switchdim, 1-10V
LED TYPE:	Sharp
INPUT CURRENT:	AC100-240V
CRI:	> 83
POWER FACTOR:	> 0.9

Adjustable Angle



	WATTAGE	INITIAL LUMENS (WW /NW)	DIMENSIONS (OD) x (H)	CUTOUT	BEAM ANGLE OPTIONS
DL3807	7W	450lm / 500lm	90mm x 60mm	75- 80mm	36° / 60°
DL3810	10W	600lm / 700lm	90mm x 80mm	75- 80mm	36° / 60°

LED DOWNLIGHT

DL38 - ADJUSTABLE LED DOWNLIGHT

Driver data	DIM	Non-dim
Input Voltage	AC200-240V	AC100-240V
Frequency	50Hz	50-60Hz
Input rated Voltage	AC230V	AC100-240V
Efficiency	≥76%	≥85%
No load wattage	≤1.5W	≤0.7W
Total load Wattage	10W±1W	10W±1W
Power Factor	≥0.9	≥0.9
Rated input current	≤0.07A	≤0.12A
No load output Voltage	DC46V	DC46V
No load output Voltage range	DC38-50V	DC38-50V
Full load output Voltage	DC34-37V	DC34-37V
Rated output current	200mA	200mA
Output current range	190mA-210mA	190mA-210mA
Tolerance	±5%	±5%
Current output tolerance	±5%	±5%
Dimming range	10%-100%	—
Dimmer	Triac dimmers	—
Withstand voltage	AC3750V	AC3750V